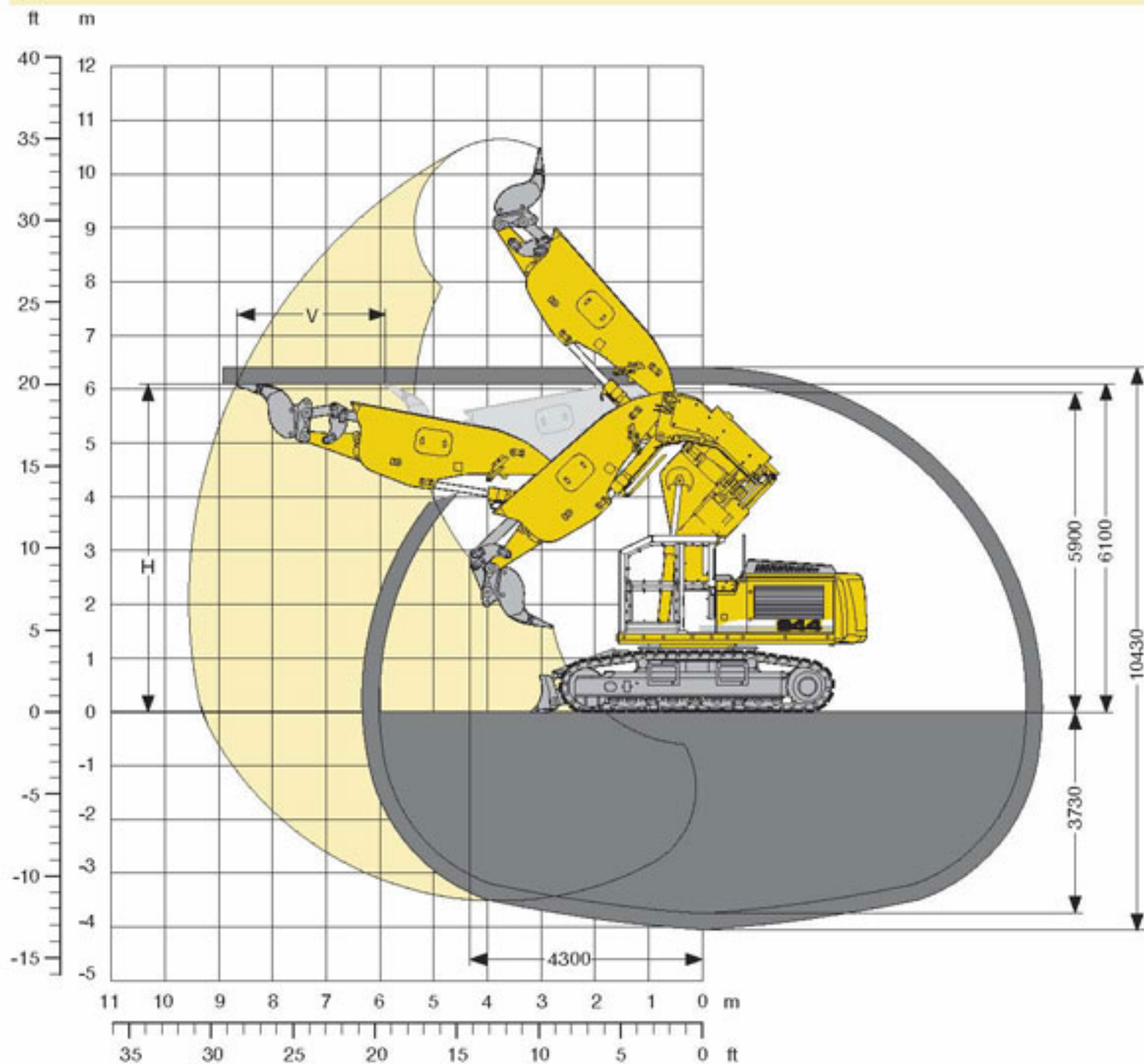


R944C

Tunneling Excavator

with 45° Boom Rotator



Digging Envelope

Basic boom bolted in position II of upper carriage

Tunnel height	Advance
H	V
m	m
6,10	2,70
6,50	2,60
7,00	2,40
7,50	2,20
8,00	2,00

Max. digging force: 129 kN/13,2 t

Max. breakout force: 173 kN/17,6 t