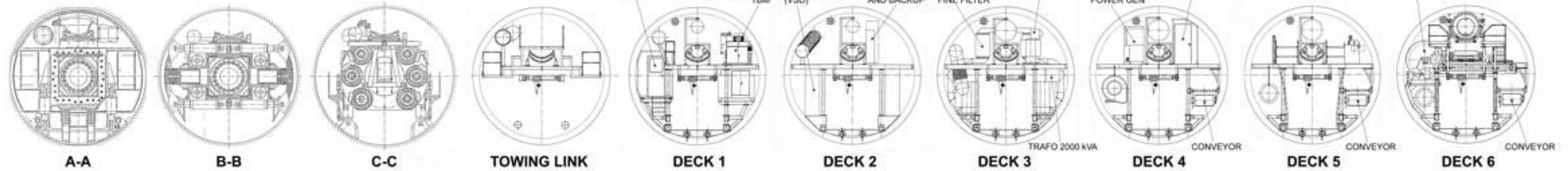
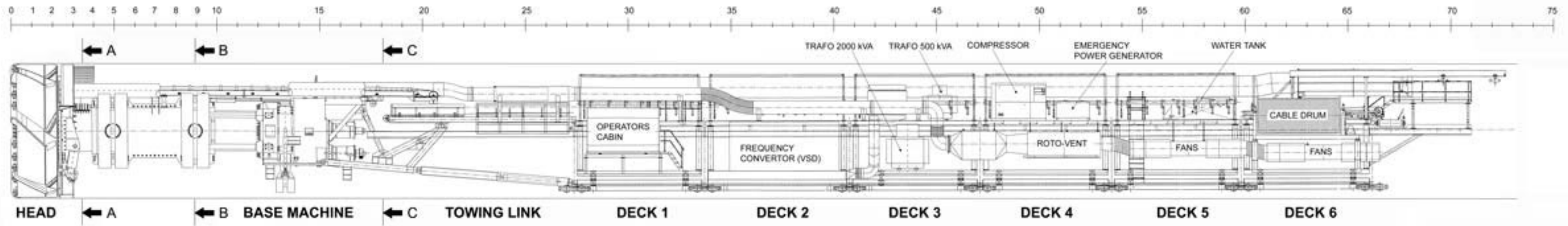
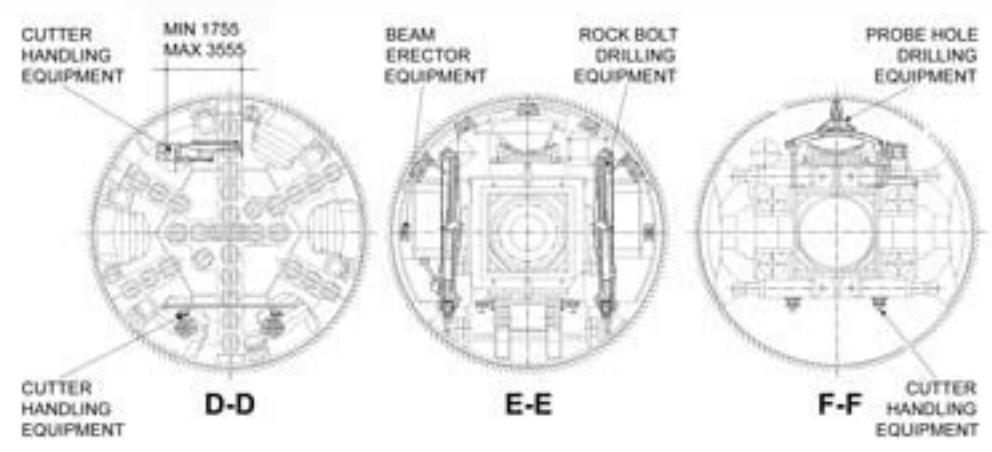
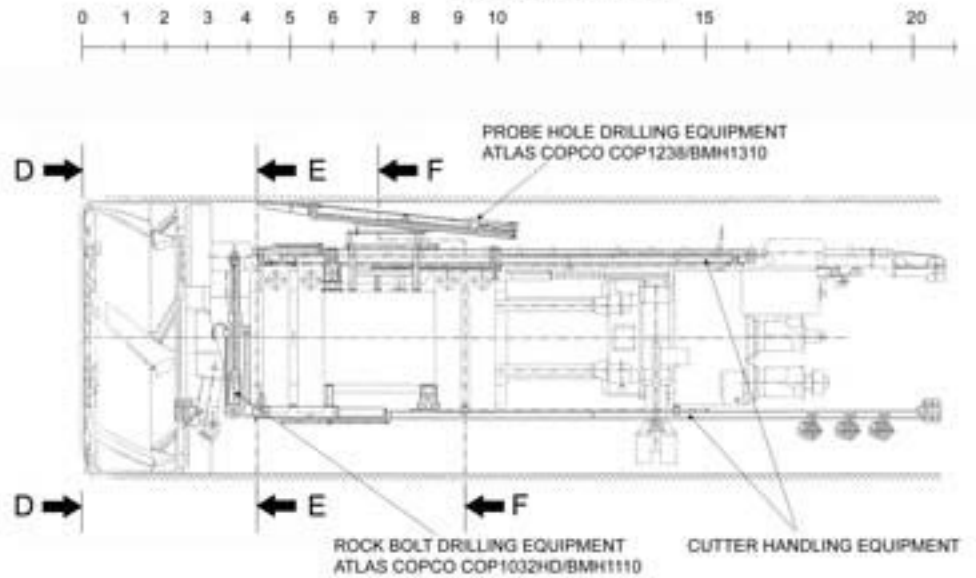


# MK27 TBM

(REF 1724 - DIAM 6.50 m)  
(REF 1725 - DIAM 7.00 m)



## ACCESSORIES



## VIEW FROM ABOVE - DECKS

