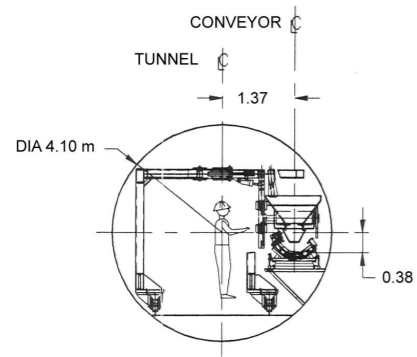
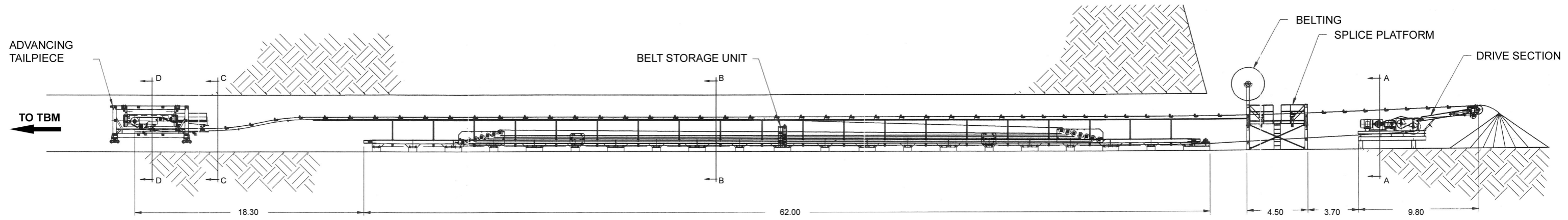


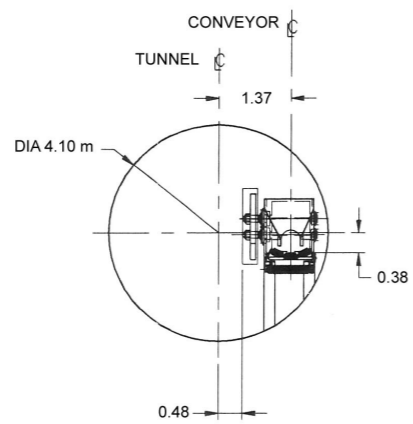
ROBBINS CONTINUOUS CONVEYOR SYSTEM

(ref 1699)

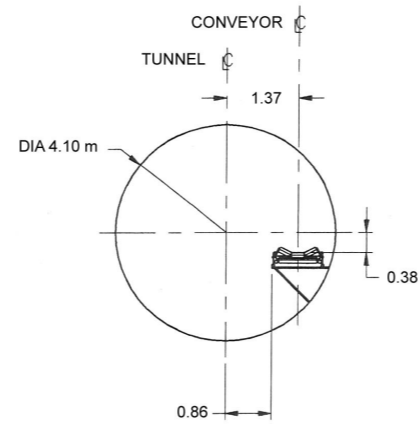
APPROX DIMENSIONS ARE IN m



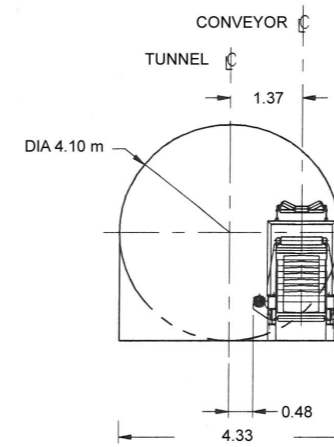
SECTION D-D
@ TAILPIECE



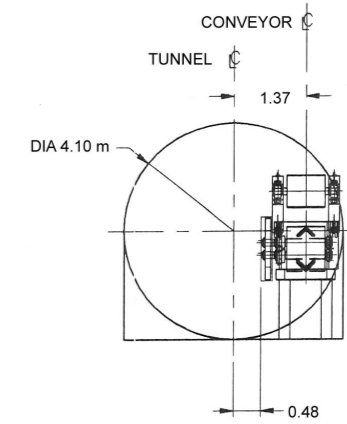
SECTION D-D
@ BOOSTER



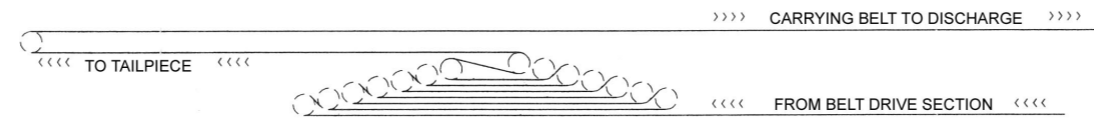
SECTION C-C
@ CONVEYOR / KNEE BRACE



SECTION B-B
@ BELT STORAGE



SECTION A-A
@ DRIVE SECTION



BELT WRAP DIAGRAM