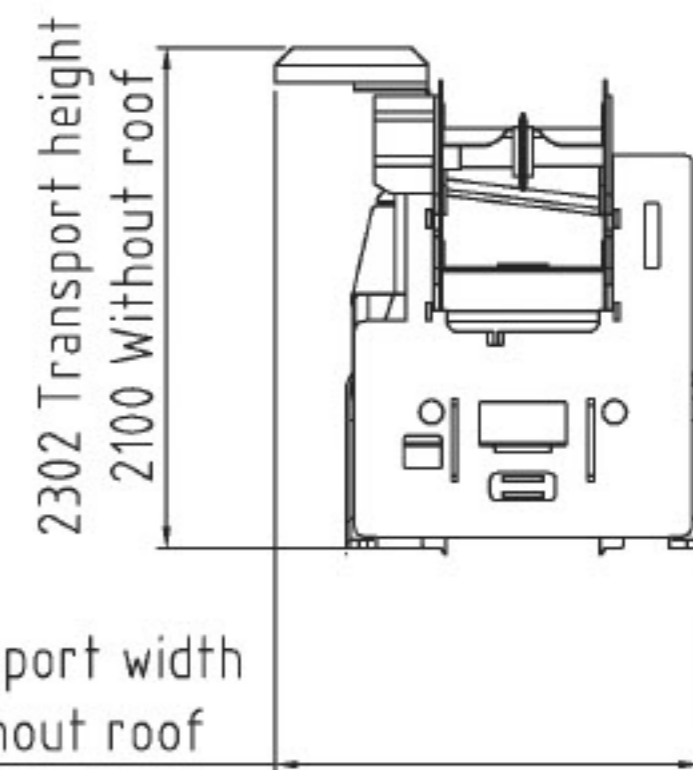
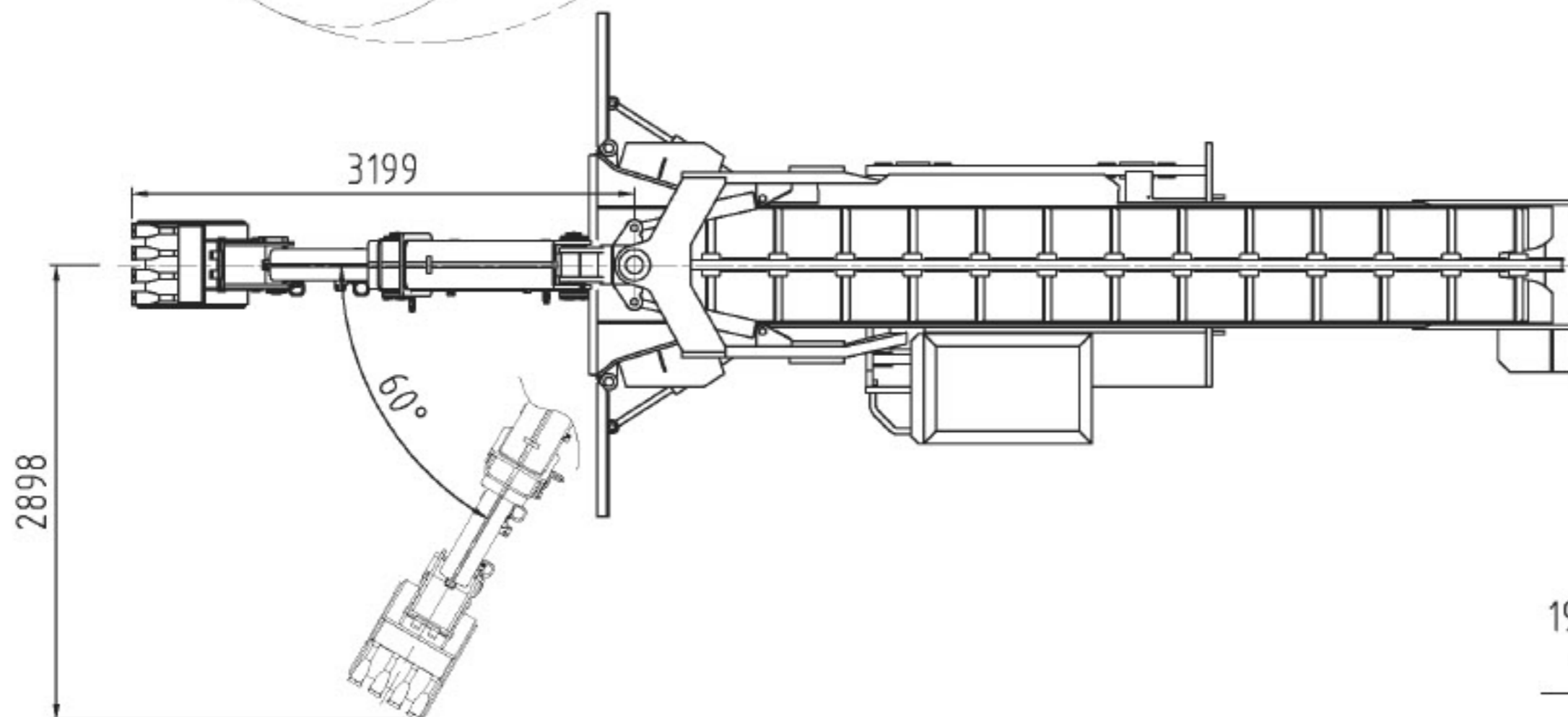
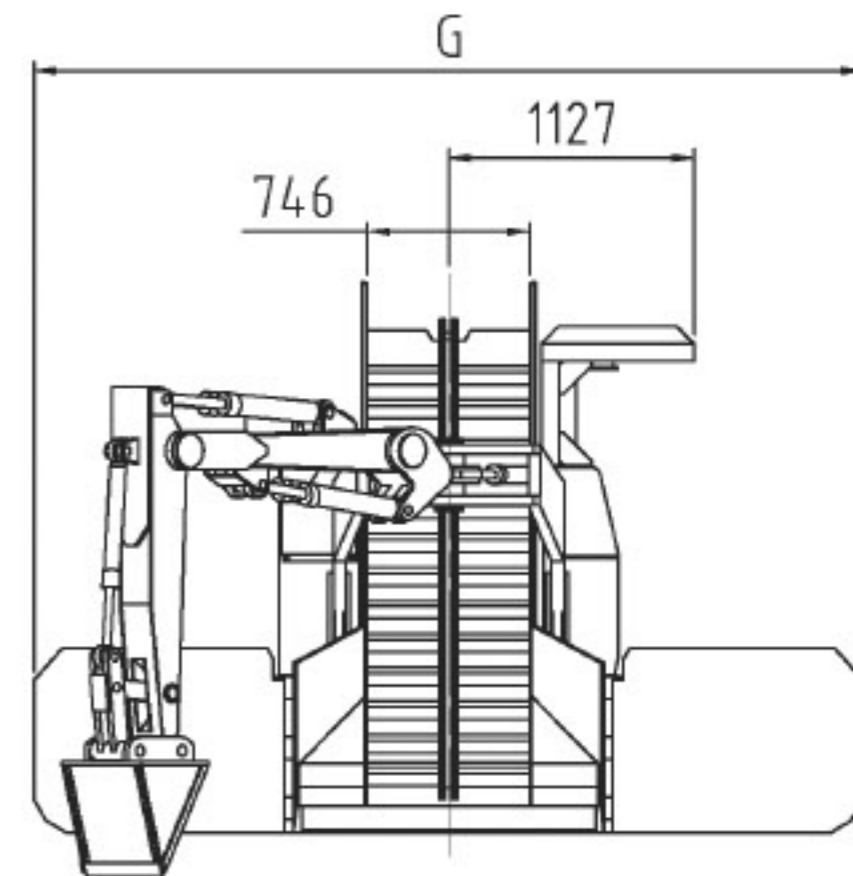
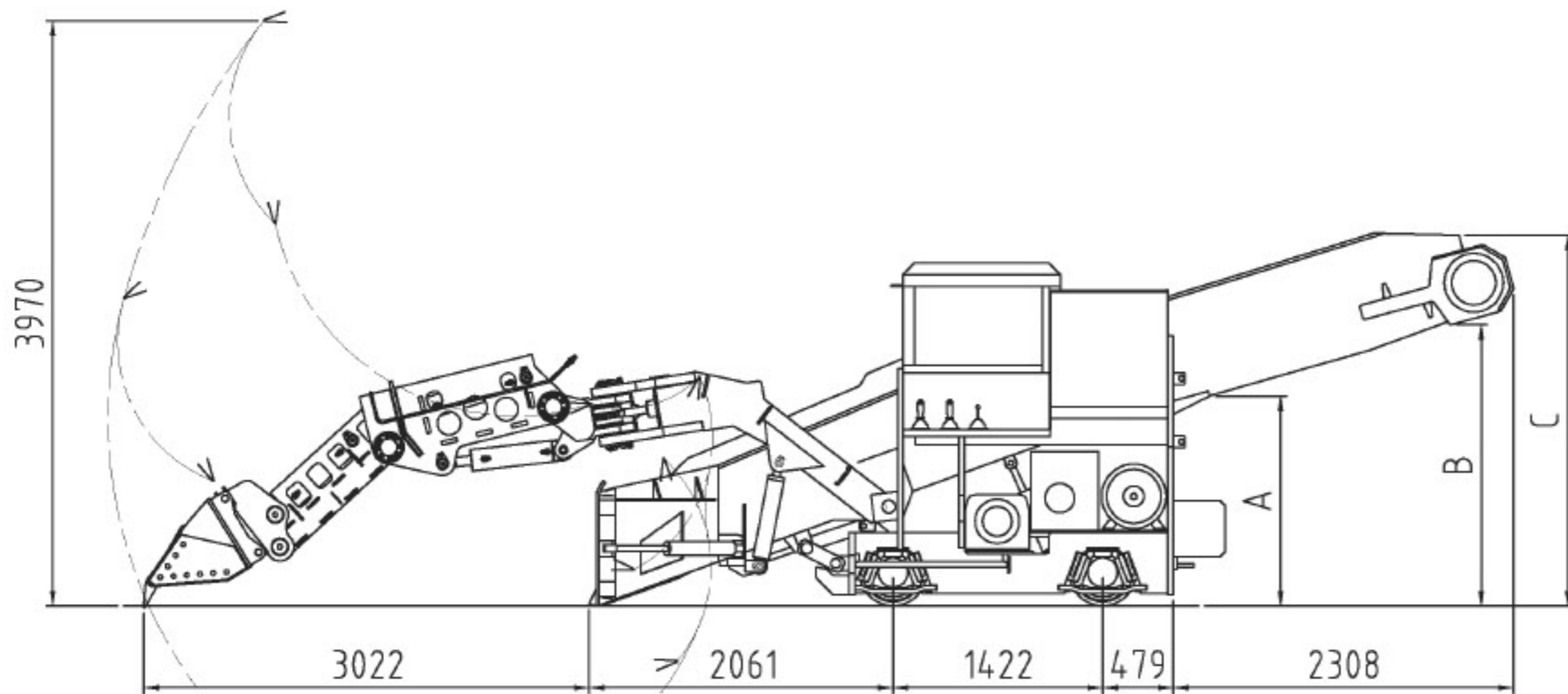


8HR2B

(REF 3136)



1952 Transport width
1630 Without roof